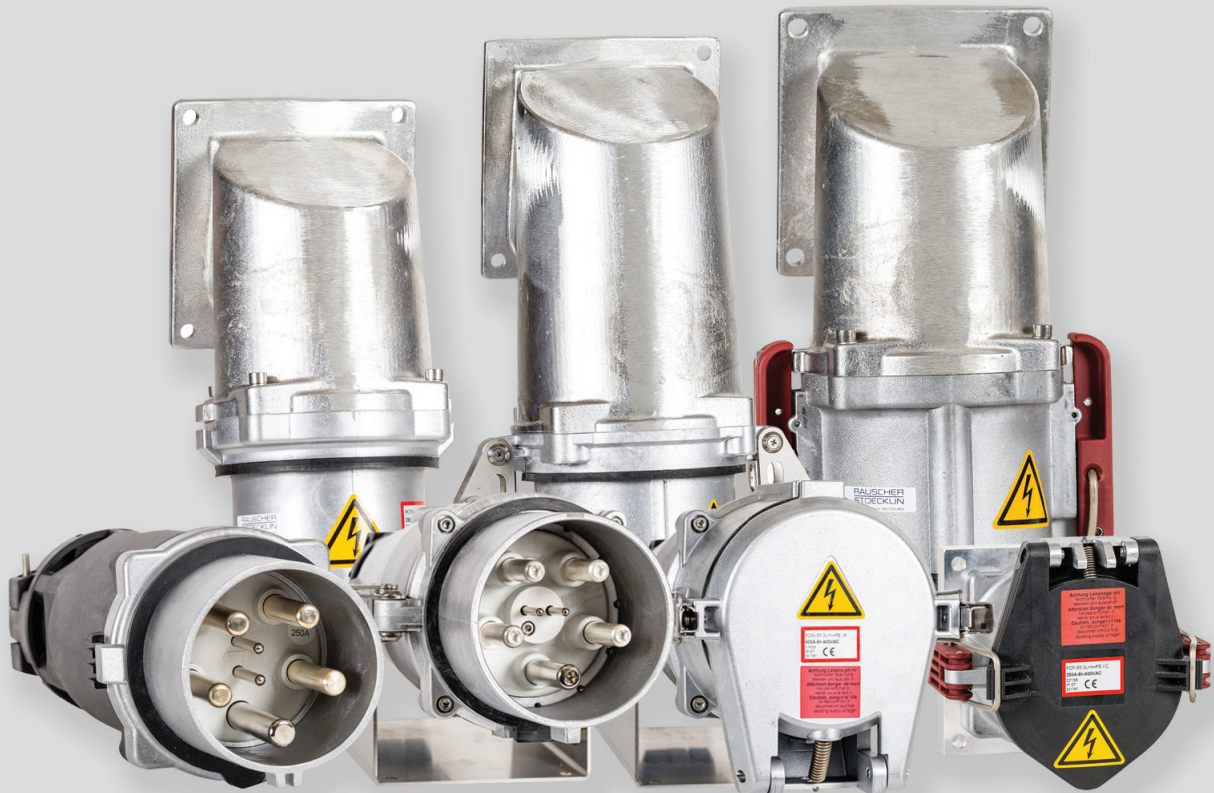


CATALOG

# High current connectors for up to 400 Ampere

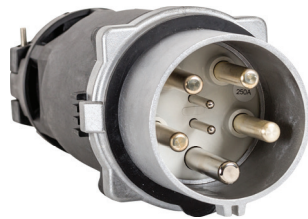


# Product portfolio

## High current connectors

The right solution for every application.

The connector product portfolio covers almost all application in the defined high current range.



### C-Line - 200 A/250 A

The compact C-Line connectors have a robust plastic housing and are perfect for applications with limited space conditions as well as for certain industries (chemistry, food industry). Additional options allow use in a variety of applications.



### B-Line - 250 A/400 A

The robust B-Line connectors are ideal for applications (tunneling, mining), where high mechanical loads may arise. Furthermore, numerous options, such as the saltwater resistant housing, make the connectors also suitable for marine applications.



### Connector units 200 A...400 A

To ensure maximum safety for users, we can offer special connector units:

CUMI (connector unit with mechanical interlock)

CUBC (connector unit with block contactor)

CUCB (connector unit with circuit breaker)

---

# Contents

<b>002</b>	<b>Product portfolio</b>
<b>004</b>	<b>Introduction High current connectors</b>
	<b>C-line</b>
<b>006</b>	<b>Plugs</b>
<b>007</b>	<b>Sockets</b>
<b>008</b>	<b>Inlets for wall mounting</b>
<b>009–010</b>	<b>Inlets for panel mounting</b>
<b>011–012</b>	<b>Socket outlet for wall mounting</b>
<b>013</b>	<b>Socket outlets for panel mounting</b>
	<b>B-line</b>
<b>015</b>	<b>Plugs</b>
<b>016</b>	<b>Sockets</b>
<b>017</b>	<b>Inlets for wall mounting</b>
<b>018–019</b>	<b>Inlets for panel mounting</b>
<b>020–021</b>	<b>Socket outlet for wall mounting</b>
<b>022</b>	<b>Socket outlets for panel mounting</b>
	<b>Connector unit</b>
<b>023–025</b>	<b>with mechanical interlock</b>
<b>026–028</b>	<b>with block contactor</b>
<b>029–031</b>	<b>with circuit breaker</b>

# High current connectors

In applications where high current connectors are used, safety, quality and reliability are the top priorities for customers.

## Connectors for challenging applications

In order to fulfill this task, all these properties were bundled into one product range. Thus, all customers receive a product with the highest degree of performance.

Whether in tunnel construction, where extremely mechanical strength is required or railway applications where vibration-proof is of highest importance, the high current connectors are always the right choice.

## Robust housing

The connectors are designed for ambient temperatures from -40 °C to +100 °C. This ensures full functionality at low and very high temperatures. This leads to significantly fewer plant failures (reduced risk of overheating) and reduced fire risk. Another important aspect for various industries, such as tunnel construction, construction sites, mines is the high robustness of the connectors. These can withstand loads of up to 2 tonnes.

## IK Code

The IK code is a coding system according to IEC/EN 50102 or IEC/EN 62262, which indicates the degree of protection by a housing against harmful external stresses. Each characteristic number of the IK code represents a stress relief value.

IK code	01	02	03	04	05	06	07	08	09	10
Stress energy joule	0,14	0,2	0,35	0,5	0,7	1	2	4	10	20

The connectors of the C-Line and B-Line are IK 10 classified.

## Finger touch protection

each socket is equipped with a finger touch protection in order to safeguard the user against electrical shocks in the event of unintentional contact with live parts.

## IP67/IP55

The connectors are IP67. They are dust-proof and suitable for temporary immersions under water. The connector units are IP55, which means protected against dust and splashing water.

- Always reliable in adverse environmental conditions
- Suitable for high humidity applications
- Low maintenance (no dust/moisture penetration)
- High security ensured at all times

## Voltage coding

Arrangement of the PE contact pin and bushing to prevent wrong plugging of various voltages and frequencies after the time setting in accordance with table 104 from EN 60309-2. The standard earthing contact specifies the time setting.

## Applications

Connectors for every task

- Tunnel construction
- Marine
- Railway
- Military
- Industry
- Construction site
- Event technology
- Mining
- Chemistry

## Characteristics

- 200 A...400 A
- Robust housing
- 4- and 5-poles
- High reliability
- Compact design
- IP 67
- Finger touch protection
- Designed for high temperatures
- Vibration resistant

## Special applications - On request

- Vibration resistant screws
- Seawater resistant housing
- Harnessed connectors

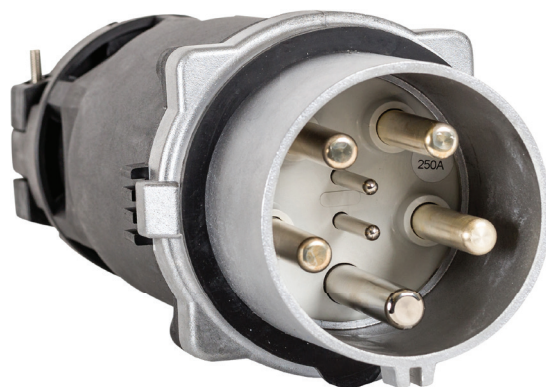
## Customized solutions

If standard solutions do not meet all the requirements of an application, customer-specific solutions are made upon request.

# C-Line

The compact C-Line connectors have a robust plastic housing and are perfect for applications with limited space conditions as well as for certain industries (chemistry, food industry). Additional options allow use in a variety of applications.

Technical data	Unit	C-Line	
Norminal current	A	200	250
Rated current	A	250	285
Rated voltage	V	1000	
Rated frequency	Hz	50/60	
Withstand voltage (1 Min/50 Hz)	V	4000	
Protection grade		IP67	
Shock resistance		IK10	
Ambient temperature	° C	-40/+100	
Insulation resistance (Phase-phase and phase-earth)	MOhm	>500	
Comparative tracking index of the insert	CTI	>600	
Terminal cross-section (EN 60228 Class 5)	mm <sup>2</sup>	35-150	
Max cross section pilot cable, conductor (EN 60228 Class 5)	mm <sup>2</sup>	4	
Diameter of cable - separat pilot cable	mm	34-66	
Diameter of cable	mm	5-10	



## Plugs

### C-Line

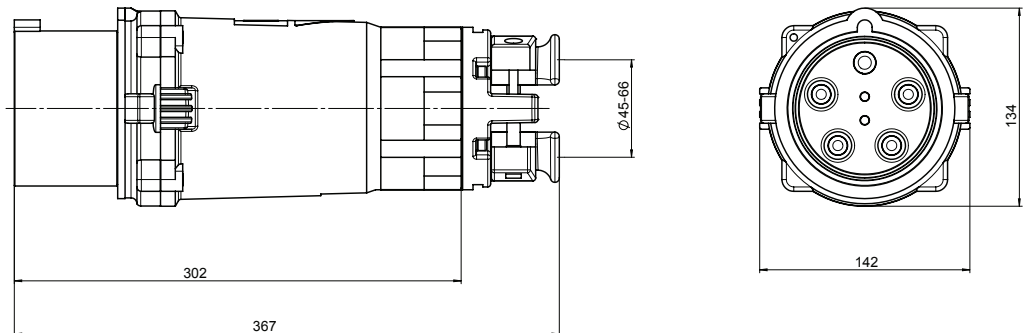


MC-S5/200 400V

#### IP67. Watertight

Robust plastic housing. Designed for high temperature.

Terminals/ Poles	Ampere	Voltage	Frequency	Hour	Type	Order Code	Pkg qty	Weight
	A	V	Hz	kg				
<b>3L+PEN</b>								
4	200	230	50/60	9	MC-S4/200A/230V	2CMA103139R1000	1	2.7
		400		6	MC-S4/200A/400V	2CMA103140R1000		
		500		7	MC-S4/200A/500V	2CMA103141R1000		
		690		5	MC-S4/200A/690V	2CMA103142R1000		
		1000		1	MC-S4/200A/1000V	2CMA103143R1000		
<b>3L+N+PE</b>								
5	200	230	50/60	9	MC-S5/200A/230V	2CMA103144R1000	1	2.9
		400		6	MC-S5/200A/400V	2CMA103145R1000		
		500		7	MC-S5/200A/500V	2CMA103146R1000		
		690		5	MC-S5/200A/690V	2CMA103147R1000		
		1000		1	MC-S5/200A/1000V	2CMA103148R1000		
<b>3L+PEN</b>								
4	250	230	50/60	9	MC-S4/250A/230V	2CMA103149R1000	1	2.7
		400		6	MC-S4/250A/400V	2CMA103150R1000		
		500		7	MC-S4/250A/500V	2CMA103151R1000		
		690		5	MC-S4/250A/690V	2CMA103152R1000		
		1000		1	MC-S4/250A/1000V	2CMA103153R1000		
<b>3L+N+PE</b>								
5	250	230	50/60	9	MC-S5/250A/230V	2CMA103154R1000	1	2.9
		400		6	MC-S5/250A/400V	2CMA103155R1000		
		500		7	MC-S5/250A/500V	2CMA103156R1000		
		690		5	MC-S5/250A/690V	2CMA103157R1000		
		1000		1	MC-S5/250A/1000V	2CMA103158R1000		



## Sockets

### C-Line

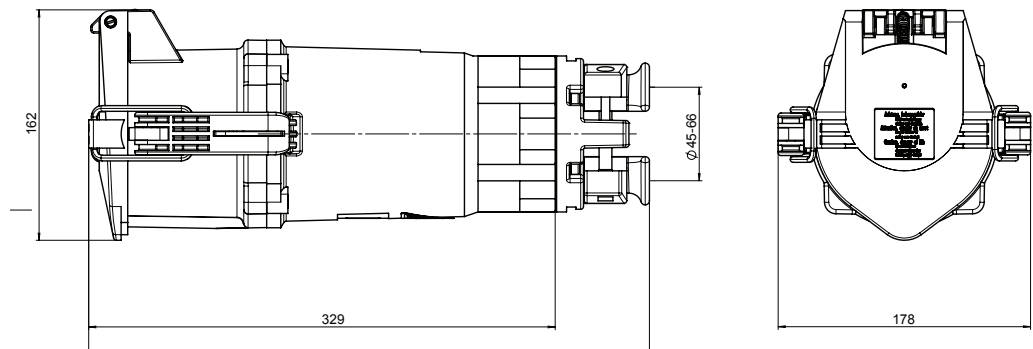


FC-S5/200 400V

#### IP67. Watertight

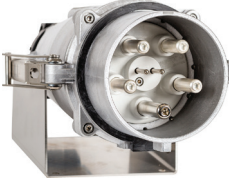
Robust plastic housing. Designed for high temperature.

Terminals/ Poles	Ampere	Voltage	Frequency	Hour	Type	Order Code	Pkg qty	Weight
	A	V	Hz					pkg (1pce) kg
<b>3L+PEN</b>								
4	200	230	50/60	9	FC-S4/200 230V	2CMA103299R1000	1	3.4
		400		6	FC-S4/200 400V	2CMA103300R1000		
		500		7	FC-S4/200 500V	2CMA103301R1000		
		690		5	FC-S4/200 690V	2CMA103302R1000		
		1000		1	FC-S4/200 1000V	2CMA103303R1000		
<b>3L+N+PE</b>								
5	200	230	50/60	9	FC-S5/200 230V	2CMA103304R1000	1	3.6
		400		6	FC-S5/200 400V	2CMA103305R1000		
		500		7	FC-S5/200 500V	2CMA103306R1000		
		690		5	FC-S5/200 690V	2CMA103307R1000		
		1000		1	FC-S5/200 1000V	2CMA103308R1000		
<b>3L+PEN</b>								
4	250	230	50/60	9	FC-S4/250 230V	2CMA103309R1000	1	3.4
		400		6	FC-S4/250 400V	2CMA103310R1000		
		500		7	FC-S4/250 500V	2CMA103311R1000		
		690		5	FC-S4/250 690V	2CMA103312R1000		
		1000		1	FC-S4/250 1000V	2CMA103313R1000		
<b>3L+N+PE</b>								
5	250	230	50/60	9	FC-S5/250 230V	2CMA103314R1000	1	3.6
		400		6	FC-S5/250 400V	2CMA103315R1000		
		500		7	FC-S5/250 500V	2CMA103316R1000		
		690		5	FC-S5/250 690V	2CMA103317R1000		
		1000		1	FC-S5/250 1000V	2CMA103318R1000		



## Inlets for wall mounting

### C-Line

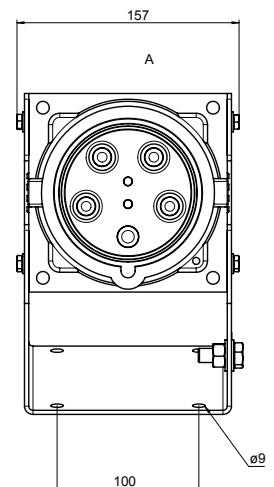
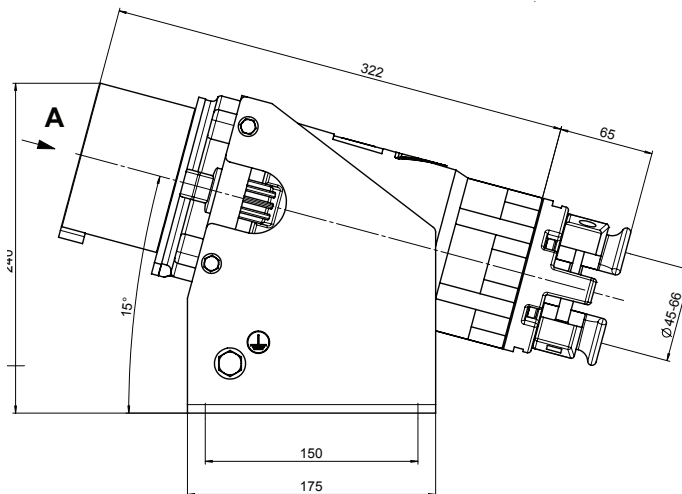


MCW-S5/200 400V

#### IP67. Watertight

Robust plastic housing. Designed for high temperature.

Terminals/ Poles	Ampere	Voltage	Frequency	Hour	Type	Order Code	Pkg qty	Weight
	A	V	Hz					pkg (1pce) kg
<b>3L+PEN</b>								
4	200	230	50/60	9	MCW-S4/200 230V	2CMA103259R1000	1	3.6
		400		6	MCW-S4/200 400V	2CMA103260R1000		
		500		7	MCW-S4/200 500V	2CMA103261R1000		
		690		5	MCW-S4/200 690V	2CMA103262R1000		
		1000		1	MCW-S4/200 1000V	2CMA103263R1000		
<b>3L+N+PE</b>								
5	200	230	50/60	9	MCW-S5/200 230V	2CMA103264R1000	1	3.8
		400		6	MCW-S5/200 400V	2CMA103265R1000		
		500		7	MCW-S5/200 500V	2CMA103266R1000		
		690		5	MCW-S5/200 690V	2CMA103267R1000		
		1000		1	MCW-S5/200 1000V	2CMA103268R1000		
<b>3L+PEN</b>								
4	250	230	50/60	9	MCW-S4/250 230V	2CMA103269R1000	1	3.6
		400		6	MCW-S4/250 400V	2CMA103270R1000		
		500		7	MCW-S4/250 500V	2CMA103271R1000		
		690		5	MCW-S4/250 690V	2CMA103272R1000		
		1000		1	MCW-S4/250 1000V	2CMA103273R1000		
<b>3L+N+PE</b>								
5	250	230	50/60	9	MCW-S5/250 230V	2CMA103274R1000	1	3.8
		400		6	MCW-S5/250 400V	2CMA103275R1000		
		500		7	MCW-S5/250 500V	2CMA103276R1000		
		690		5	MCW-S5/250 690V	2CMA103277R1000		
		1000		1	MCW-S5/250 10000V	2CMA103278R1000		





# Inlets for panel mounting

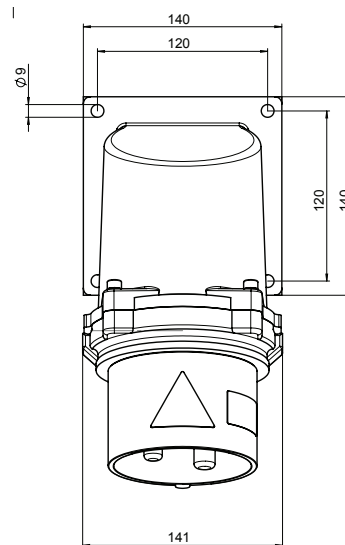
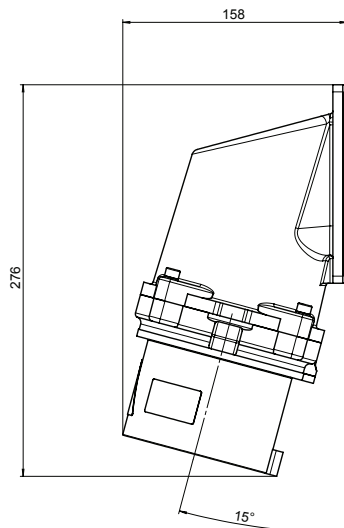
C-Line



MCPA-S5/200 400V

**IP67. Watertight**  
Robust housing. Designed for high temperature.

Terminals/ Poles	Ampere	Voltage	Frequency	Hour	Type	Order Code	Pkg qty	Weight
	A	V	Hz	kg				
<b>3L+PEN</b>								
4	200	230	50/60	9	MCPA-S4/200 230V	2CMA103219R1000	1	4.2
		400		6	MCPA-S4/200 400V	2CMA103220R1000		
		500		7	MCPA-S4/200 500V	2CMA103221R1000		
		690		5	MCPA-S4/200 690V	2CMA103222R1000		
		1000		1	MCPA-S4/200 1000V	2CMA103223R1000		
<b>3L+N+PE</b>								
5	200	230	50/60	9	MCPA-S5/200 230V	2CMA103224R1000	1	4.4
		400		6	MCPA-S5/200 400V	2CMA103225R1000		
		500		7	MCPA-S5/200 500V	2CMA103226R1000		
		690		5	MCPA-S5/200 690V	2CMA103227R1000		
		1000		1	MCPA-S5/200 1000V	2CMA103228R1000		
<b>3L+PEN</b>								
4	250	230	50/60	9	MCPA-S4/250 230V	2CMA103229R1000	1	4.2
		400		6	MCPA-S4/250 400V	2CMA103230R1000		
		500		7	MCPA-S4/250 500V	2CMA103231R1000		
		690		5	MCPA-S4/250 690V	2CMA103232R1000		
		1000		1	MCPA-S4/250 1000V	2CMA103233R1000		
<b>3L+N+PE</b>								
5	250	230	50/60	9	MCPA-S5/250 230V	2CMA103234R1000	1	4.4
		400		6	MCPA-S5/250 400V	2CMA103235R1000		
		500		7	MCPA-S5/250 500V	2CMA103236R1000		
		690		5	MCPA-S5/250 690V	2CMA103237R1000		
		1000		1	MCPA-S5/250 1000V	2CMA103238R1000		



## Inlets for panel mounting

### C-Line

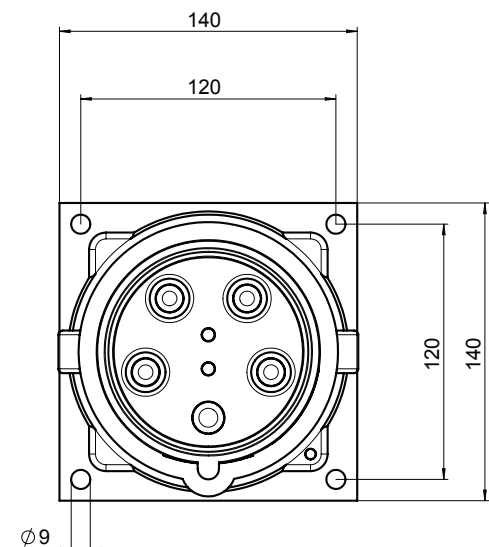
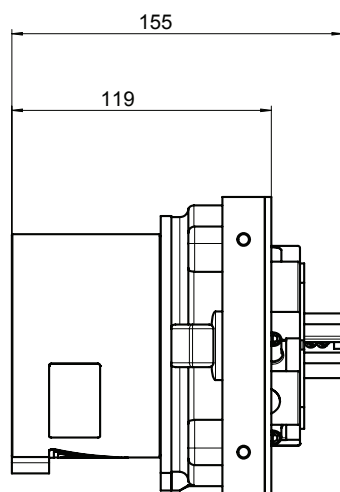


MCP-S5/200 400V

#### IP67. Watertight

Robust housing. Designed for high temperature.

Terminals/ Poles	Ampere	Voltage	Frequency	Hour	Type	Order Code	Pkg qty	Weight
	A	V	Hz	kg				
<b>3L+PEN</b>								
4	200	230	50/60	9	MCP-S4/200 230V	2CMA103179R1000	1	2.2
		400		6	MCP-S4/200 400V	2CMA103180R1000		
		500		7	MCP-S4/200 500V	2CMA103181R1000		
		690		5	MCP-S4/200 690V	2CMA103182R1000		
		1000		1	MCP-S4/200 1000V	2CMA103183R1000		
<b>3L+N+PE</b>								
5	200	230	50/60	9	MCP-S5/200 230V	2CMA103184R1000	1	2.4
		400		6	MCP-S5/200 400V	2CMA103185R1000		
		500		7	MCP-S5/200 500V	2CMA103186R1000		
		690		5	MCP-S5/200 690V	2CMA103187R1000		
		1000		1	MCP-S5/200 1000V	2CMA103188R1000		
<b>3L+PEN</b>								
4	250	230	50/60	9	MCP-S4/250 230V	2CMA103189R1000	1	2.2
		400		6	MCP-S4/250 400V	2CMA103190R1000		
		500		7	MCP-S4/250 500V	2CMA103191R1000		
		690		5	MCP-S4/250 690V	2CMA103192R1000		
		1000		1	MCP-S4/250 1000V	2CMA103193R1000		
<b>3L+N+PE</b>								
5	250	230	50/60	9	MCP-S5/250 230V	2CMA103194R1000	1	2.4
		400		6	MCP-S5/250 400V	2CMA103195R1000		
		500		7	MCP-S5/250 500V	2CMA103196R1000		
		690		5	MCP-S5/250 690V	2CMA103197R1000		
		1000		1	MCP-S5/250 1000V	2CMA103198R1000		



## Socket outlet for wall mounting

C-Line

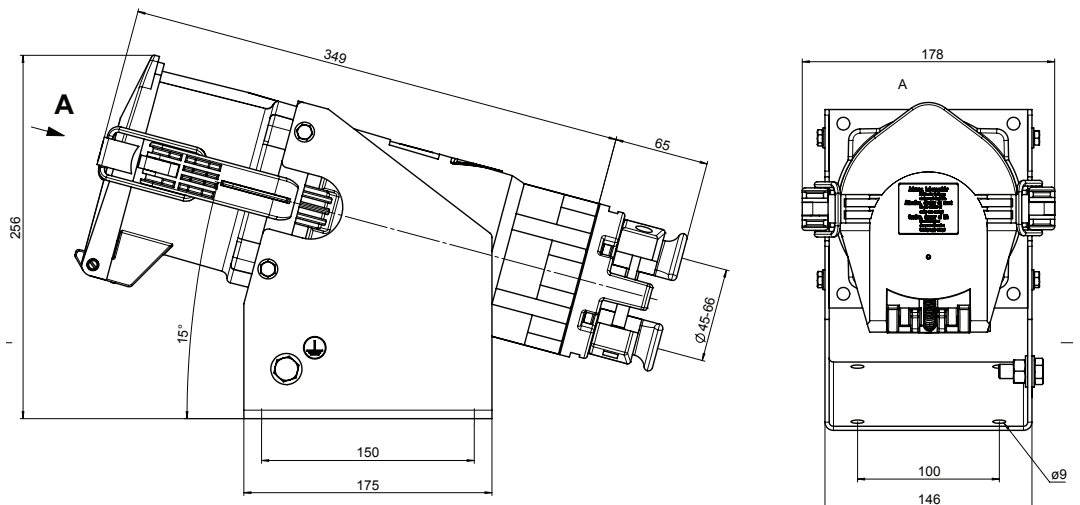


FCW-S5/200 400V

### IP67. Watertight

Robust plastic housing. Designed for high temperature.

Terminals/ Poles	Ampere	Voltage	Frequency	Hour	Type	Order Code	Pkg qty	Weight
	A	V	Hz					pkg (1pce) kg
<b>3L+PEN</b>								
4	200	230	50/60	9	FCW-S4/200 230V	2CMA103419R1000	1	4.3
		400		6	FCW-S4/200 400V	2CMA103420R1000		
		500		7	FCW-S4/200 500V	2CMA103421R1000		
		690		5	FCW-S4/200 690V	2CMA103422R1000		
		1000		1	FCW-S4/200 1000V	2CMA103423R1000		
<b>3L+N+PE</b>								
5	200	230	50/60	9	FCW-S5/200 230V	2CMA103424R1000	1	4.5
		400		6	FCW-S5/200 400V	2CMA103425R1000		
		500		7	FCW-S5/200 500V	2CMA103426R1000		
		690		5	FCW-S5/200 690V	2CMA103427R1000		
		1000		1	FCW-S5/200 1000V	2CMA103428R1000		
<b>3L+PEN</b>								
4	250	230	50/60	9	FCW-S4/250 230V	2CMA103429R1000	1	4.3
		400		6	FCW-S4/250 400V	2CMA103430R1000		
		500		7	FCW-S4/250 500V	2CMA103431R1000		
		690		5	FCW-S4/250 690V	2CMA103432R1000		
		1000		1	FCW-S4/250 1000V	2CMA103433R1000		
<b>3L+N+PE</b>								
5	250	230	50/60	9	FCW-S5/250 230V	2CMA103434R1000	1	4.5
		400		6	FCW-S5/250 400V	2CMA103435R1000		
		500		7	FCW-S5/250 500V	2CMA103436R1000		
		690		5	FCW-S5/250 690V	2CMA103437R1000		
		1000		1	FCW-S5/250 1000V	2CMA103438R1000		



## Socket outlet for wall mounting

C-Line

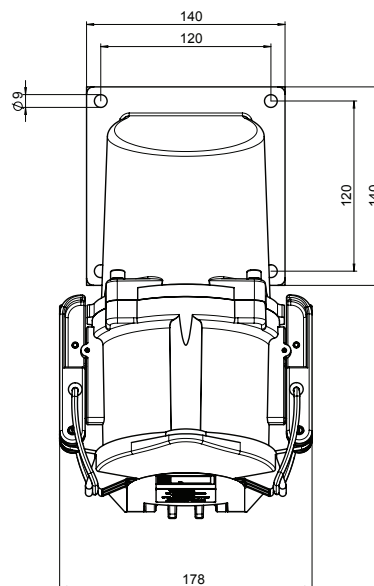
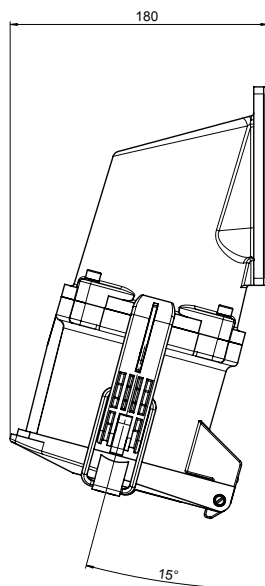


FCPA-S5/200 400V

### IP67. Watertight

Robust housing. Designed for high temperature.

Terminals/ Poles	Ampere	Voltage	Frequency	Hour	Type	Order Code	Pkg qty	Weight
	A	V	Hz					pkg (1pce) kg
<b>3L+PEN</b>								
4	200	230	50/60	9	FCPA-S4/200 230V	2CMA103379R1000	1	4.4
		400		6	FCPA-S4/200 400V	2CMA103380R1000		
		500		7	FCPA-S4/200 500V	2CMA103381R1000		
		690		5	FCPA-S4/200 690V	2CMA103382R1000		
		1000		1	FCPA-S4/200 1000V	2CMA103383R1000		
<b>3L+N+PE</b>								
5	200	230	50/60	9	FCPA-S5/200 230V	2CMA103384R1000	1	4.6
		400		6	FCPA-S5/200 400V	2CMA103385R1000		
		500		7	FCPA-S5/200 500V	2CMA103386R1000		
		690		5	FCPA-S5/200 690V	2CMA103387R1000		
		1000		1	FCPA-S5/200 1000V	2CMA103388R1000		
<b>3L+PEN</b>								
4	250	230	50/60	9	FCPA-S4/250 230V	2CMA103389R1000	1	4.4
		400		6	FCPA-S4/250 400V	2CMA103390R1000		
		500		7	FCPA-S4/250 500V	2CMA103391R1000		
		690		5	FCPA-S4/250 690V	2CMA103392R1000		
		1000		1	FCPA-S4/250 1000V	2CMA103393R1000		
<b>3L+N+PE</b>								
5	250	230	50/60	9	FCPA-S5/250 230V	2CMA103394R1000	1	4.6
		400		6	FCPA-S5/250 400V	2CMA103395R1000		
		500		7	FCPA-S5/250 500V	2CMA103396R1000		
		690		5	FCPA-S5/250 690V	2CMA103397R1000		
		1000		1	FCPA-S5/250 1000V	2CMA103398R1000		



## Socket outlet for panel mounting

C-Line

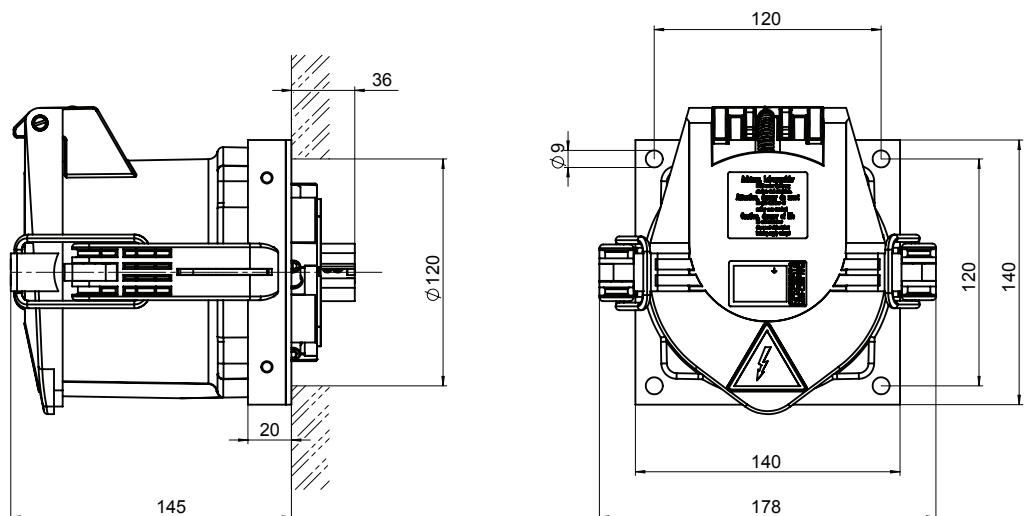


FCP-S5/200 400V

### IP67. Watertight

Robust housing. Designed for high temperature.

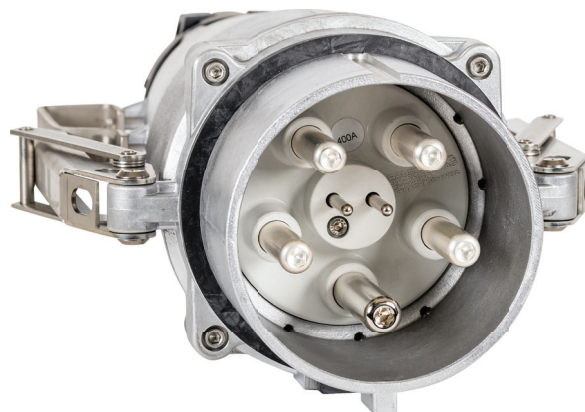
Terminals/ Poles	Ampere A	Voltage V	Frequency Hz	Hour	Type	Order Code	Pkg qty	Weight
								pkg (1pce)
3L+PEN								
4	200	230	50/60	9	FCP-S4/200 230V	2CMA103339R1000	1	3.2
		400		6	FCP-S4/200 400V	2CMA103340R1000		
		500		7	FCP-S4/200 500V	2CMA103341R1000		
		690		5	FCP-S4/200 690V	2CMA103342R1000		
		1000		1	FCP-S4/200 1000V	2CMA103343R1000		
3L+N+PE								
5	200	230	50/60	9	FCP-S5/200 230V	2CMA103344R1000	1	3.5
		400		6	FCP-S5/200 400V	2CMA103345R1000		
		500		7	FCP-S5/200 500V	2CMA103346R1000		
		690		5	FCP-S5/200 690V	2CMA103347R1000		
		1000		1	FCP-S5/200 1000V	2CMA103348R1000		
3L+PEN								
4	250	230	50/60	9	FCP-S4/250 230V	2CMA103349R1000	1	3.2
		400		6	FCP-S4/250 400V	2CMA103350R1000		
		500		7	FCP-S4/250 500V	2CMA103351R1000		
		690		5	FCP-S4/250 690V	2CMA103352R1000		
		1000		1	FCP-S4/250 1000V	2CMA103353R1000		
3L+N+PE								
5	250	230	50/60	9	FCP-S5/250 230V	2CMA103354R1000	1	3.5
		400		6	FCP-S5/250 400V	2CMA103355R1000		
		500		7	FCP-S5/250 500V	2CMA103356R1000		
		690		5	FCP-S5/250 690V	2CMA103357R1000		
		1000		1	FCP-S5/250 1000V	2CMA103358R1000		



## B-Line

The robust B-Line connectors are ideal for applications (tunneling, mining), where high mechanical loads may arise. Furthermore, numerous options, such as the saltwater-resistant housing, make the connectors also suitable for marine applications.

Technical data	Unit	B-Line	
Norminal current	A	250	400
Rated current	A	315	450
Rated voltage	V	1000	
Rated frequency	Hz	50/60	
Withstand voltage (1 Min/50 Hz)	V	4000	
Protection grade		IP67	
Shock resistance		IK10	
Ambient temperature	° C	-40/+100	
Insulation resistance (Phase-phase and phase-earth)	MOhm	>500	
Comparative tracking index of the insert	CTI	>600	
Terminal cross-section (EN 60228 Class 5)	mm <sup>2</sup>	70-240	
Max cross section pilot cable, conductor (EN 60228 Class 5)	mm <sup>2</sup>	4	
Diameter of cable - separat pilot cable	mm	34-66	
Diameter of cable	mm	8-15	



# Plugs

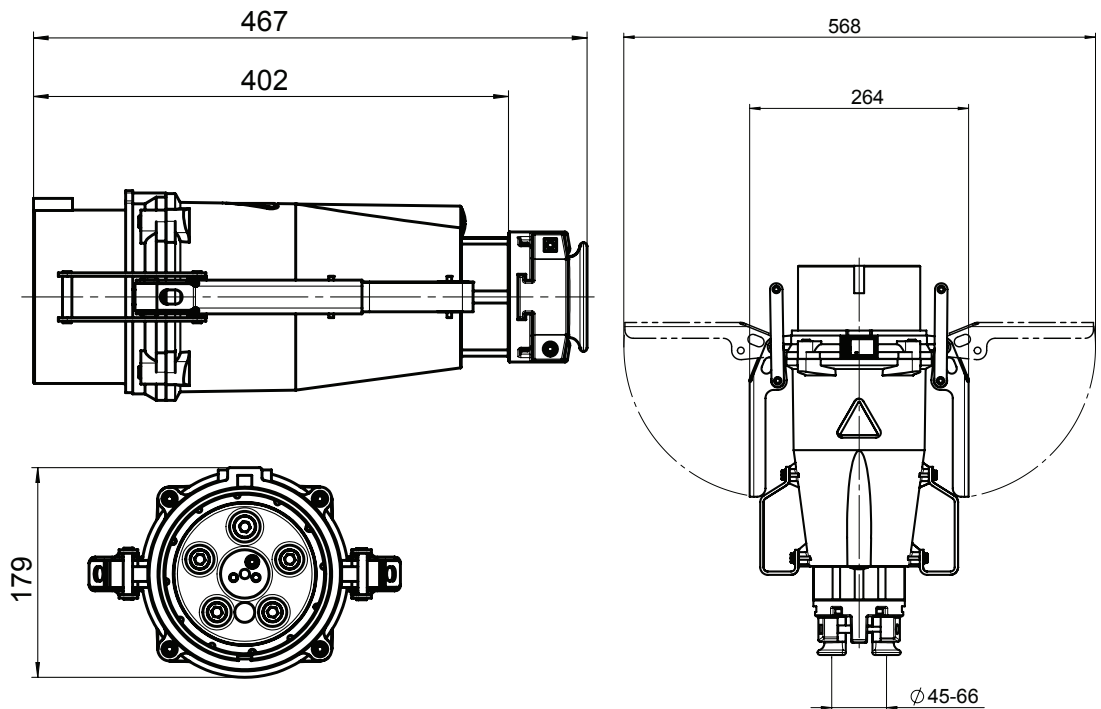
## B-Line



MC-S5/250 400V

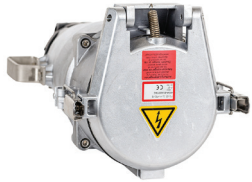
**IP67. Watertight**  
Aluminum housing. Designed for high temperature.

Terminals/ Poles	Ampere	Voltage	Frequency	Hour	Type	Order Code	Pkg qty	Weight
	A	V	Hz					pkg (1pce) kg
<b>3L+PEN</b>								
4	250	230	50/60	9	MC-S4/250A/230V	2CMA103159R1000	1	8.1
		400		6	MC-S4/250A/400V	2CMA103160R1000		
		500		7	MC-S4/250A/500V	2CMA103161R1000		
		690		5	MC-S4/250A/690V	2CMA103162R1000		
		1000		1	MC-S4/250A/1000V	2CMA103163R1000		
<b>3L+N+PE</b>								
5	250	230	50/60	9	MC-S5/250A/230V	2CMA103164R1000	1	8.6
		400		6	MC-S5/250A/400V	2CMA103165R1000		
		500		7	MC-S5/250A/500V	2CMA103166R1000		
		690		5	MC-S5/250A/690V	2CMA103167R1000		
		1000		1	MC-S5/250A/1000V	2CMA103168R1000		
<b>3L+PEN</b>								
4	400	230	50/60	9	MC-S4/400A/230V	2CMA103169R1000	1	8.1
		400		6	MC-S4/400A/400V	2CMA103170R1000		
		500		7	MC-S4/400A/500V	2CMA103171R1000		
		690		5	MC-S4/400A/690V	2CMA103172R1000		
		1000		1	MC-S4/400A/1000V	2CMA103173R1000		
<b>3L+N+PE</b>								
5	400	230	50/60	9	MC-S5/400A/230V	2CMA103174R1000	1	8.6
		400		6	MC-S5/400A/400V	2CMA103175R1000		
		500		7	MC-S5/400A/500V	2CMA103176R1000		
		690		5	MC-S5/400A/690V	2CMA103177R1000		
		1000		1	MC-S5/400A/1000V	2CMA103178R1000		



## Sockets

### B-Line

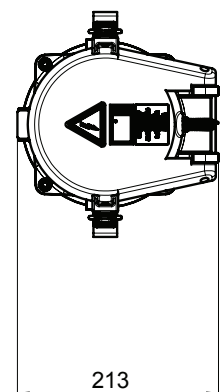
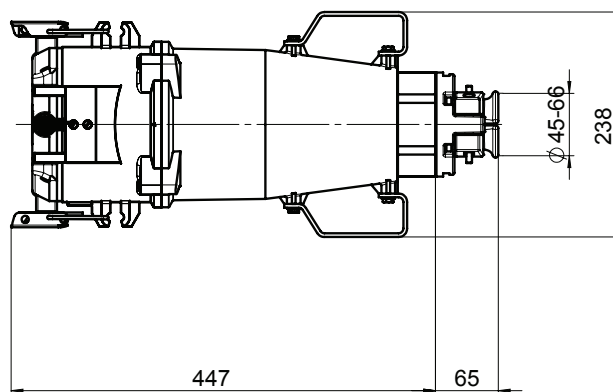


FC-S5/250 400V

#### IP67. Watertight

Aluminum housing. Designed for high temperature.

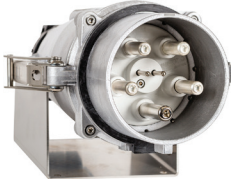
Terminals/ Poles	Ampere	Voltage	Frequency	Hour	Type	Order Code	Pkg qty	Weight
	A	V	Hz					pkg (1pce) kg
<b>3L+PEN</b>								
4	250	230	50/60	9	FC-S4/250 230V	2CMA103319R1000	1	9.4
		400		6	FC-S4/250 400V	2CMA103320R1000		
		500		7	FC-S4/250 500V	2CMA103321R1000		
		690		5	FC-S4/250 690V	2CMA103322R1000		
		1000		1	FC-S4/250 1000V	2CMA103323R1000		
<b>3L+N+PE</b>								
5	250	230	50/60	9	FC-S5/250 230V	2CMA103324R1000	1	9.9
		400		6	FC-S5/250 400V	2CMA103325R1000		
		500		7	FC-S5/250 500V	2CMA103326R1000		
		690		5	FC-S5/250 690V	2CMA103327R1000		
		1000		1	FC-S5/250 1000V	2CMA103328R1000		
<b>3L+PEN</b>								
4	400	230	50/60	9	FC-S4/400 230V	2CMA103329R1000	1	9.4
		400		6	FC-S4/400 400V	2CMA103330R1000		
		500		7	FC-S4/400 500V	2CMA103331R1000		
		690		5	FC-S4/400 690V	2CMA103332R1000		
		1000		1	FC-S4/400 1000V	2CMA103333R1000		
<b>3L+N+PE</b>								
5	400	230	50/60	9	FC-S5/400 230V	2CMA103334R1000	1	9.9
		400		6	FC-S5/400 400V	2CMA103335R1000		
		500		7	FC-S5/400 500V	2CMA103336R1000		
		690		5	FC-S5/400 690V	2CMA103337R1000		
		1000		1	FC-S5/400 1000V	2CMA103338R1000		





# Inlets for wall mounting

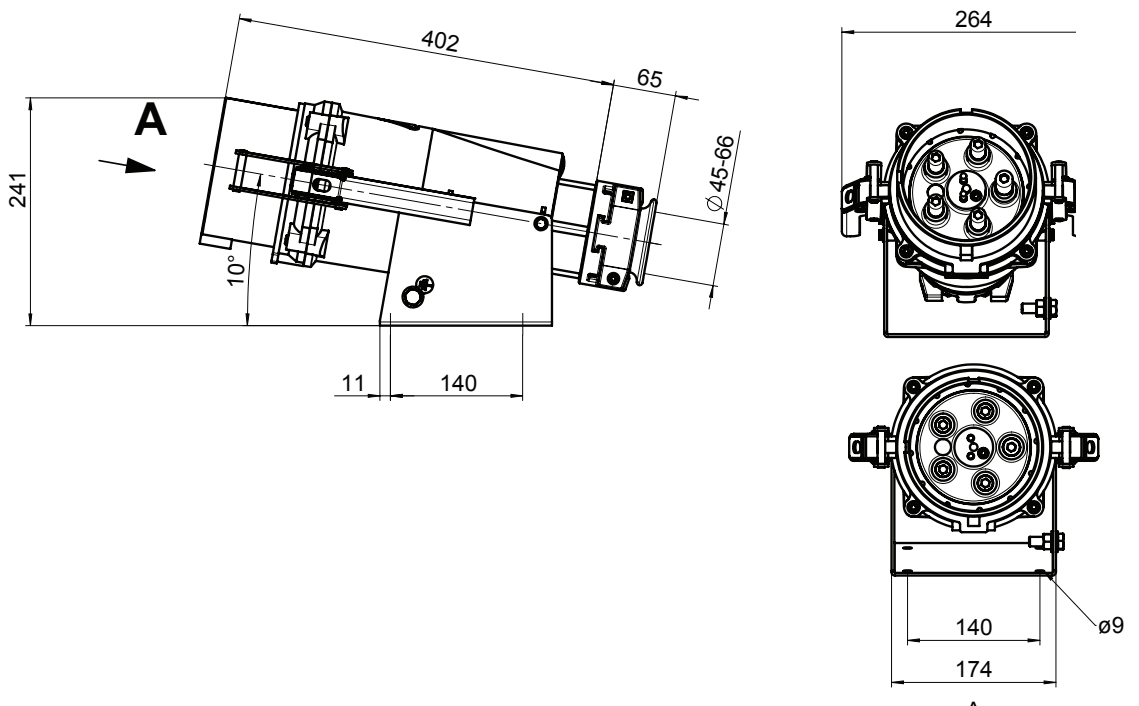
B-Line



MCW-S5/250 400V

**IP67. Watertight**  
Aluminum housing. Designed for high temperature.

Terminals/ Poles	Ampere A	Voltage V	Frequency Hz	Hour	Type	Order Code	Pkg qty	Weight
								pkg (1pce)
3L+PEN								
4	250	230	50/60	9	MCW-S4/250 230V	2CMA103279R1000	1	10.0
		400		6	MCW-S4/250 400V	2CMA103280R1000		
		500		7	MCW-S4/250 500V	2CMA103281R1000		
		690		5	MCW-S4/250 690V	2CMA103282R1000		
		1000		1	MCW-S4/250 1000V	2CMA103283R1000		
3L+N+PE								
5	250	230	50/60	9	MCW-S5/250 230V	2CMA103284R1000	1	10.5
		400		6	MCW-S5/250 400V	2CMA103285R1000		
		500		7	MCW-S5/250 500V	2CMA103286R1000		
		690		5	MCW-S5/250 690V	2CMA103287R1000		
		1000		1	MCW-S5/250 1000V	2CMA103288R1000		
3L+PEN								
4	400	230	50/60	9	MCW-S4/400 230V	2CMA103289R1000	1	10.0
		400		6	MCW-S4/400 400V	2CMA103290R1000		
		500		7	MCW-S4/400 500V	2CMA103291R1000		
		690		5	MCW-S4/400 690V	2CMA103292R1000		
		1000		1	MCW-S4/400 1000V	2CMA103293R1000		
3L+N+PE								
5	400	230	50/60	9	MCW-S5/400 230V	2CMA103294R1000	1	10.5
		400		6	MCW-S5/400 400V	2CMA103295R1000		
		500		7	MCW-S5/400 500V	2CMA103296R1000		
		690		5	MCW-S5/400 690V	2CMA103297R1000		
		1000		1	MCW-S5/400 1000V	2CMA103298R1000		



## Inlets for panel mounting

B-Line

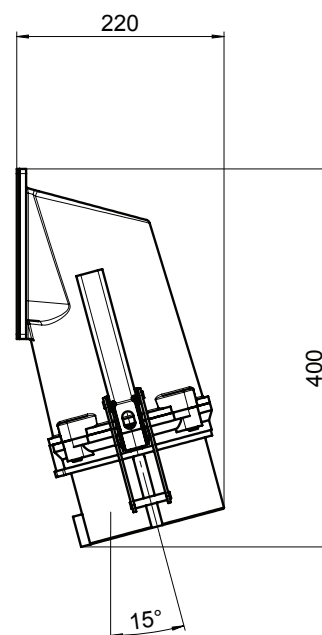
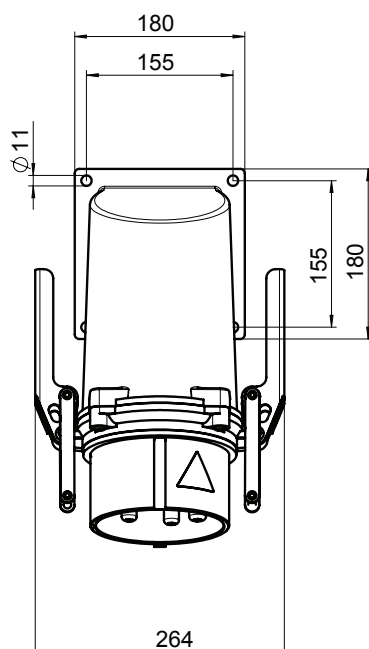


MCPA-S5/250 400V

### IP67. Watertight

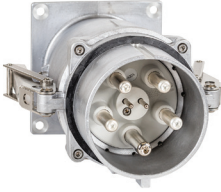
Aluminum housing. Designed for high temperature.

Terminals/ Poles	Ampere	Voltage	Frequency	Hour	Type	Order Code	Pkg qty	Weight
	A	V	Hz	kg				
<b>3L+PEN</b>								
4	250	230	50/60	9	MCPA-S4/250 230V	2CMA103239R1000	1	9.8
		400		6	MCPA-S4/250 400V	2CMA103240R1000		
		500		7	MCPA-S4/250 500V	2CMA103241R1000		
		690		5	MCPA-S4/250 690V	2CMA103242R1000		
		1000		1	MCPA-S4/250 1000V	2CMA103243R1000		
<b>3L+N+PE</b>								
5	250	230	50/60	9	MCPA-S5/250 230V	2CMA103244R1000	1	10.3
		400		6	MCPA-S5/250 400V	2CMA103245R1000		
		500		7	MCPA-S5/250 500V	2CMA103246R1000		
		690		5	MCPA-S5/250 690V	2CMA103247R1000		
		1000		1	MCPA-S5/250 1000V	2CMA103248R1000		
<b>3L+PEN</b>								
4	400	230	50/60	9	MCPA-S4/400 230V	2CMA103249R1000	1	9.8
		400		6	MCPA-S4/400 400V	2CMA103250R1000		
		500		7	MCPA-S4/400 500V	2CMA103251R1000		
		690		5	MCPA-S4/400 690V	2CMA103252R1000		
		1000		1	MCPA-S4/400 1000V	2CMA103253R1000		
<b>3L+N+PE</b>								
5	400	230	50/60	9	MCPA-S5/400 230V	2CMA103254R1000	1	10.3
		400		6	MCPA-S5/400 400V	2CMA103255R1000		
		500		7	MCPA-S5/400 500V	2CMA103256R1000		
		690		5	MCPA-S5/400 690V	2CMA103257R1000		
		1000		1	MCPA-S5/400 1000V	2CMA103258R1000		



# Inlets for panel mounting

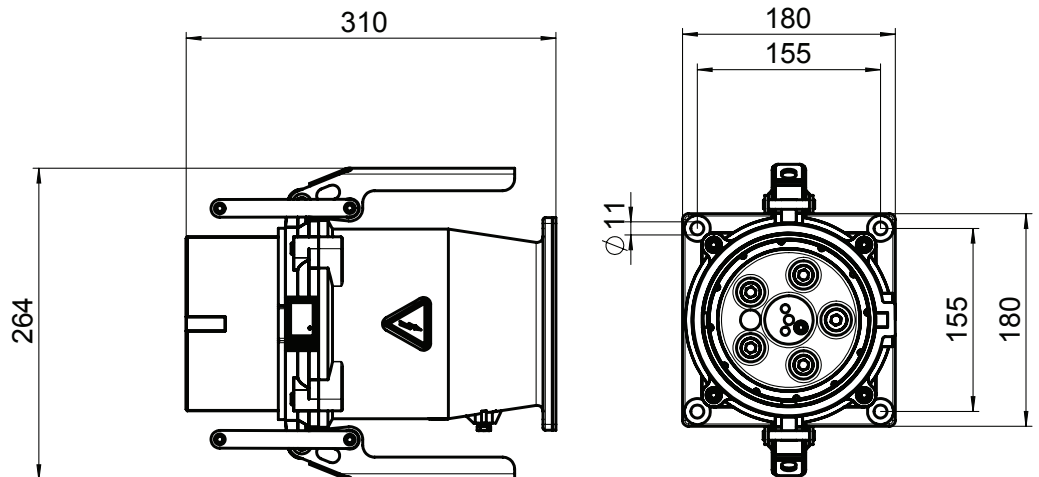
B-Line



MCP-S5/250 400V

**IP67. Watertight**  
Aluminum housing. Designed for high temperature.

Terminals/ Poles	Ampere	Voltage	Frequency	Hour	Type	Order Code	Pkg qty	Weight
	A	V	Hz	kg				
<b>3L+PEN</b>								
4	250	230	50/60	9	MCP-S4/250 230V	2CMA103199R1000	1	8.1
		400		6	MCP-S4/250 400V	2CMA103200R1000		
		500		7	MCP-S4/250 500V	2CMA103201R1000		
		690		5	MCP-S4/250 690V	2CMA103202R1000		
		1000		1	MCP-S4/250 1000V	2CMA103203R1000		
<b>3L+N+PE</b>								
5	250	230	50/60	9	MCP-S5/250 230V	2CMA103204R1000	1	8.6
		400		6	MCP-S5/250 400V	2CMA103205R1000		
		500		7	MCP-S5/250 500V	2CMA103206R1000		
		690		5	MCP-S5/250 690V	2CMA103207R1000		
		1000		1	MCP-S5/250 1000V	2CMA103208R1000		
<b>3L+PEN</b>								
4	400	230	50/60	9	MCP-S4/400 230V	2CMA103209R1000	1	8.1
		400		6	MCP-S4/400 400V	2CMA103210R1000		
		500		7	MCP-S4/400 500V	2CMA103211R1000		
		690		5	MCP-S4/400 690V	2CMA103212R1000		
		1000		1	MCP-S4/400 1000V	2CMA103213R1000		
<b>3L+N+PE</b>								
5	400	230	50/60	9	MCP-S5/400 230V	2CMA103214R1000	1	8.6
		400		6	MCP-S5/400 400V	2CMA103215R1000		
		500		7	MCP-S5/400 500V	2CMA103216R1000		
		690		5	MCP-S5/400 690V	2CMA103217R1000		
		1000		1	MCP-S5/400 1000V	2CMA103218R1000		



## Socket outlet for wall mounting

B-Line

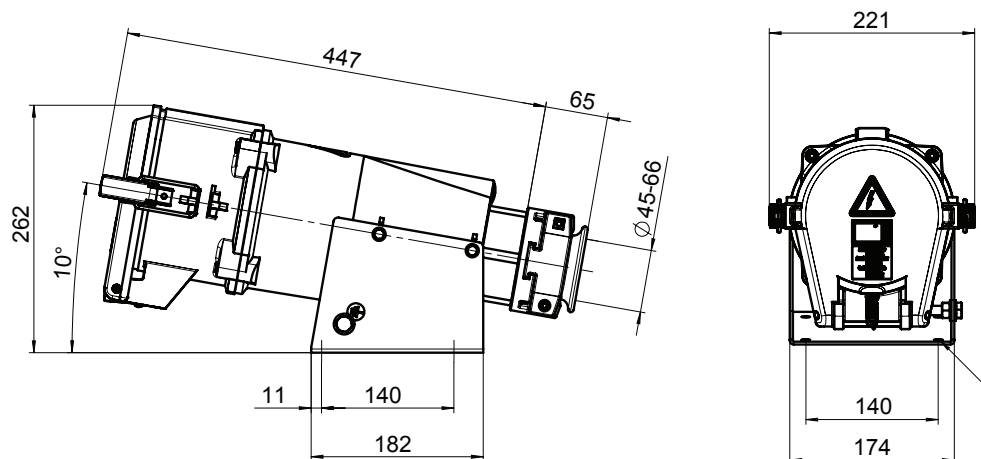


FCW-S5/250 400V

### IP67. Watertight

Aluminum housing. Designed for high temperature.

Terminals/ Poles	Ampere	Voltage	Frequency	Hour	Type	Order Code	Pkg qty	Weight
	A	V	Hz					pkg (1pce) kg
<b>3L+PEN</b>								
4	250	230	50/60	9	FCW-S4/250 230V	2CMA103439R1000	1	11.5
		400		6	FCW-S4/250 400V	2CMA103440R1000		
		500		7	FCW-S4/250 500V	2CMA103441R1000		
		690		5	FCW-S4/250 690V	2CMA103442R1000		
		1000		1	FCW-S4/250 1000V	2CMA103443R1000		
<b>3L+N+PE</b>								
5	250	230	50/60	9	FCW-S5/250 230V	2CMA103444R1000	1	12.0
		400		6	FCW-S5/250 400V	2CMA103445R1000		
		500		7	FCW-S5/250 500V	2CMA103446R1000		
		690		5	FCW-S5/250 690V	2CMA103447R1000		
		1000		1	FCW-S5/250 1000V	2CMA103448R1000		
<b>3L+PEN</b>								
4	400	230	50/60	9	FCW-S4/400 230V	2CMA103449R1000	1	11.5
		400		6	FCW-S4/400 400V	2CMA103450R1000		
		500		7	FCW-S4/400 500V	2CMA103451R1000		
		690		5	FCW-S4/400 690V	2CMA103452R1000		
		1000		1	FCW-S4/400 1000V	2CMA103453R1000		
<b>3L+N+PE</b>								
5	400	230	50/60	9	FCW-S5/400 230V	2CMA103454R1000	1	12.0
		400		6	FCW-S5/400 400V	2CMA103455R1000		
		500		7	FCW-S5/400 500V	2CMA103456R1000		
		690		5	FCW-S5/400 690V	2CMA103457R1000		
		1000		1	FCW-S5/400 1000V	2CMA103458R1000		



## Socket outlet for wall mounting

B-Line

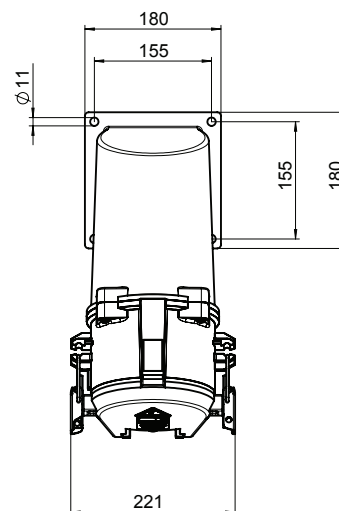
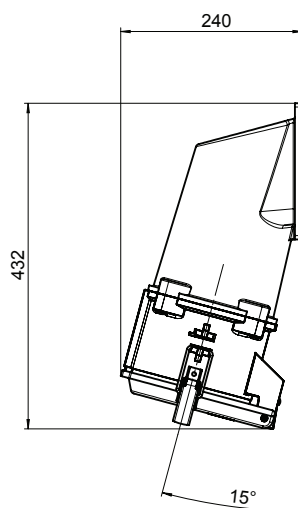


FCPA-S5/250 400V

### IP67. Watertight

Aluminum housing. Designed for high temperature.

Terminals/ Poles	Ampere A	Voltage V	Frequency Hz	Hour	Type	Order Code	Pkg qty	Weight
								pkg (1pce)
3L+PEN								
4	250	230	50/60	9	FCPA-S4/250 230V	2CMA103399R1000	1	10.3
		400		6	FCPA-S4/250 400V	2CMA103400R1000		
		500		7	FCPA-S4/250 500V	2CMA103401R1000		
		690		5	FCPA-S4/250 690V	2CMA103402R1000		
		1000		1	FCPA-S4/250 1000V	2CMA103403R1000		
3L+N+PE								
5	250	230	50/60	9	FCPA-S5/250 230V	2CMA103404R1000	1	10.8
		400		6	FCPA-S5/250 400V	2CMA103405R1000		
		500		7	FCPA-S5/250 500V	2CMA103406R1000		
		690		5	FCPA-S5/250 690V	2CMA103407R1000		
		1000		1	FCPA-S5/250 1000V	2CMA103408R1000		
3L+PEN								
4	400	230	50/60	9	FCPA-S4/400 230V	2CMA103409R1000	1	10.3
		400		6	FCPA-S4/400 400V	2CMA103410R1000		
		500		7	FCPA-S4/400 500V	2CMA103411R1000		
		690		5	FCPA-S4/400 690V	2CMA103412R1000		
		1000		1	FCPA-S4/400 1000V	2CMA103413R1000		
3L+N+PE								
5	400	230	50/60	9	FCPA-S5/400 230V	2CMA103414R1000	1	10.8
		400		6	FCPA-S5/400 400V	2CMA103415R1000		
		500		7	FCPA-S5/400 500V	2CMA103416R1000		
		690		5	FCPA-S5/400 690V	2CMA103417R1000		
		1000		1	FCPA-S5/400 1000V	2CMA103418R1000		



# Socket outlet for panel mounting

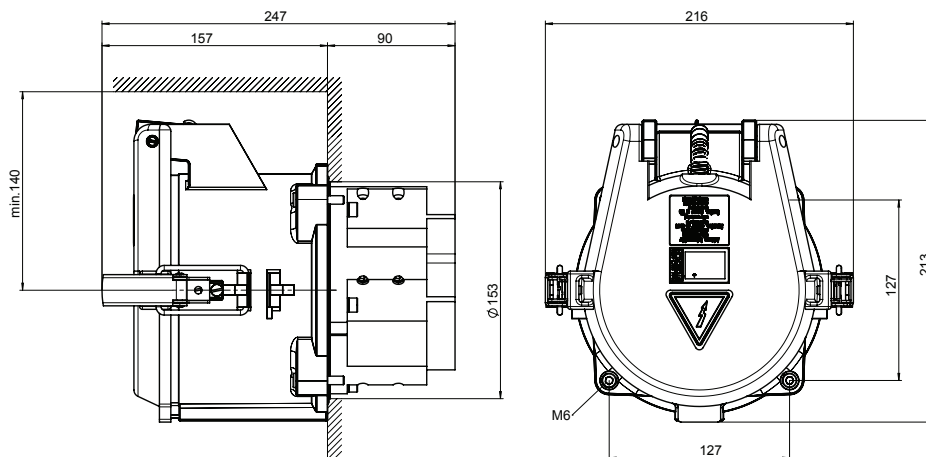
B-Line



FCP-S5/250 400V

**IP67. Watertight**  
Aluminum housing. Designed for high temperature.

Terminals/ Poles	Ampere	Voltage	Frequency	Hour	Type	Order Code	Pkg qty	Weight
	A	V	Hz					pkg (1pce) kg
<b>3L+PEN</b>								
4	250	230	50/60	9	FCP-S4/250 230V	2CMA103359R1000	1	6.8
		400		6	FCP-S4/250 400V	2CMA103360R1000		
		500		7	FCP-S4/250 500V	2CMA103361R1000		
		690		5	FCP-S4/250 690V	2CMA103362R1000		
		1000		1	FCP-S4/250 1000V	2CMA103363R1000		
<b>3L+N+PE</b>								
5	250	230	50/60	9	FCP-S5/250 230V	2CMA103364R1000	1	7.3
		400		6	FCP-S5/250 400V	2CMA103365R1000		
		500		7	FCP-S5/250 500V	2CMA103366R1000		
		690		5	FCP-S5/250 690V	2CMA103367R1000		
		1000		1	FCP-S5/250 1000V	2CMA103368R1000		
<b>3L+PEN</b>								
4	400	230	50/60	9	FCP-S4/400 230V	2CMA103369R1000	1	6.8
		400		6	FCP-S4/400 400V	2CMA103370R1000		
		500		7	FCP-S4/400 500V	2CMA103371R1000		
		690		5	FCP-S4/400 690V	2CMA103372R1000		
		1000		1	FCP-S4/400 1000V	2CMA103373R1000		
<b>3L+N+PE</b>								
5	400	230	50/60	9	FCP-S5/400 230V	2CMA103374R1000	1	7.3
		400		6	FCP-S5/400 400V	2CMA103375R1000		
		500		7	FCP-S5/400 500V	2CMA103376R1000		
		690		5	FCP-S5/400 690V	2CMA103377R1000		
		1000		1	FCP-S5/400 1000V	2CMA103378R1000		



# Connector units

## with mechanical interlock, CUMI

To ensure maximum safety for users, we can offer special connector units.

Technical data	Unit	C-Line		B-Line	
Norminal current	A	200	250	250	400
Rated current	A	250	285	315	450
Rated voltage	V	1000		1000	
Rated frequency	Hz	50/60		50/60	
Withstand voltage (1 Min/50 Hz)	V	4000		4000	
Protection grade		IP55		IP55	
Shock resistance		IK07		IK07	
Ambient temperature	° C	-40/+70		-40/+70	
Insulation resistance (Phase-phase and phase-earth)	MOhm	>500		>500	
Comparative tracking index of the insert	CTI	>600		>600	
Weight 4 poles (3L+PEN)	kg	25.1		45.6	
Weight 5 poles (3L+N+PE)	kg	25.3		47.1	
Connection bolts for cable shoes		M8		M10	
Max cross section pilot cable, conductor (EN 60228 Class 1)	mm <sup>2</sup>	4		4	
Diameter of cable - normal other diameters on request	mm	20-70		20-70	



## Connector unit with mechanical interlock

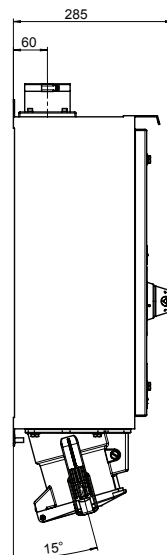
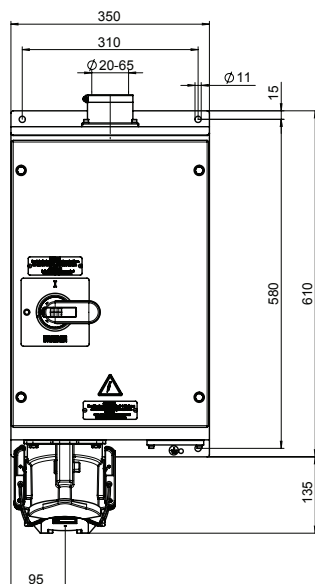
C-Line



CUMI-S5/200 400V

—  
IP55  
Steel housing

Terminals/ Poles	Ampere A	Voltage V	Frequency Hz	Hour	Type	Order Code	Pkg qty	Weight
								pkg (1pce)
kg								
<b>3L+PEN</b>								
4	200	230	50/60	9	CUMI-S4/200 230V-9h	2CMA103459R1000	1	25.1
		400		6	CUMI-S4/200 400V-6h	2CMA103460R1000		
		500		7	CUMI-S4/200 500V-7h	2CMA103461R1000		
		690		5	CUMI-S4/200 690V-5h	2CMA103462R1000		
		1000		1	CUMI-S4/200 1000V-1h	2CMA103463R1000		
<b>3L+N+PE</b>								
5	200	230	50/60	9	CUMI-S5/200 230V-9h	2CMA103464R1000	1	25.3
		400		6	CUMI-S5/200 400V-6h	2CMA103465R1000		
		500		7	CUMI-S5/200 500V-7h	2CMA103466R1000		
		690		5	CUMI-S5/200 690V-5h	2CMA103467R1000		
		1000		1	CUMI-S5/200 1000V-1h	2CMA103468R1000		
<b>3L+PEN</b>								
4	250	230	50/60	9	CUMI-S4/250 230V-9h	2CMA103469R1000	1	25.1
		400		6	CUMI-S4/250 400V-6h	2CMA103470R1000		
		500		7	CUMI-S4/250 500V-7h	2CMA103471R1000		
		690		5	CUMI-S4/250 690V-5h	2CMA103472R1000		
		1000		1	CUMI-S4/250 1000V-1h	2CMA103473R1000		
<b>3L+N+PE</b>								
5	250	230	50/60	9	CUMI-S5/250 230V-9h	2CMA103474R1000	1	25.3
		400		6	CUMI-S5/250 400V-6h	2CMA103475R1000		
		500		7	CUMI-S5/250 500V-7h	2CMA103476R1000		
		690		5	CUMI-S5/250 690V-5h	2CMA103477R1000		
		1000		1	CUMI-S5/250 1000V-1h	2CMA103478R1000		





## Connector unit with mechanical interlock

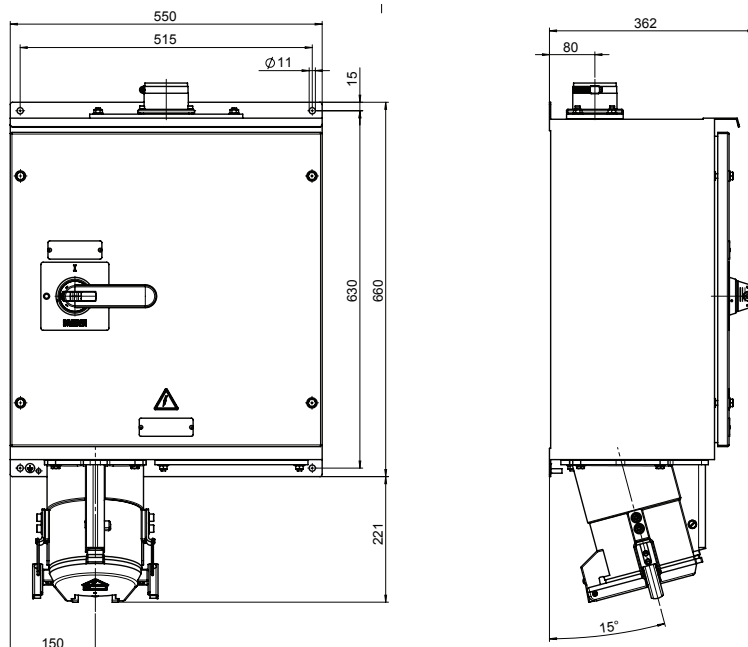
B-Line



CUMI-S5/250 400V

—  
IP55  
Steel housing

Terminals/ Poles	Ampere A	Voltage V	Frequency Hz	Hour	Type	Order Code	Pkg qty	Weight
								pkg (1pce)
3L+PEN								
4	250	230	50/60	9	CUMI-S4/250 230V-9h	2CMA103479R1000	1	45.6
		400		6	CUMI-S4/250 400V-6h	2CMA103480R1000		
		500		7	CUMI-S4/250 500V-7h	2CMA103481R1000		
		690		5	CUMI-S4/250 690V-5h	2CMA103482R1000		
		1000		1	CUMI-S4/250 1000V-1h	2CMA103483R1000		
3L+N+PE								
5	250	230	50/60	9	CUMI-S5/250 230V-9h	2CMA103484R1000	1	47.1
		400		6	CUMI-S5/250 400V-6h	2CMA103485R1000		
		500		7	CUMI-S5/250 500V-7h	2CMA103486R1000		
		690		5	CUMI-S5/250 690V-5h	2CMA103487R1000		
		1000		1	CUMI-S5/250 1000V-1h	2CMA103488R1000		
3L+PEN								
4	400	230	50/60	9	CUMI-S4/400 230V-9h	2CMA103489R1000	1	45.6
		400		6	CUMI-S4/400 400V-6h	2CMA103490R1000		
		500		7	CUMI-S4/400 500V-7h	2CMA103491R1000		
		690		5	CUMI-S4/400 690V-5h	2CMA103492R1000		
		1000		1	CUMI-S4/400 1000V-1h	2CMA103493R1000		
3L+N+PE								
5	400	230	50/60	9	CUMI-S5/400 230V-9h	2CMA103494R1000	1	47.1
		400		6	CUMI-S5/400 400V-6h	2CMA103495R1000		
		500		7	CUMI-S5/400 500V-7h	2CMA103496R1000		
		690		5	CUMI-S5/400 690V-5h	2CMA103497R1000		
		1000		1	CUMI-S5/400 1000V-1h	2CMA103498R1000		



# Connector units

## with block contactor, CUBC

To ensure maximum safety for users, we can offer special connector units.

Technical data	Unit	C-Line		B-Line	
Norminal current	A	200	250	250	400
Rated current	A	250	285	315	450
Rated voltage	V	1000		1000	
Rated frequency	Hz	50/60		50/60	
Withstand voltage (1 Min/50 Hz)	V	4000		4000	
Protection grade		IP55		IP55	
Shock resistance		IK07		IK07	
Ambient temperature	° C	-40/+70		-40/+70	
Insulation resistance (Phase-phase and phase-earth)	MOhm	>500		>500	
Comparative tracking index of the insert	CTI	>600		>600	
Weight 4 poles (3L+PEN)	kg	25.1		45.6	
Weight 5 poles (3L+N+PE)	kg	25.3		47.1	
Connection bolts for cable shoes		M8		M10	
Max cross section pilot cable, conductor (EN 60228 Class 1)	mm <sup>2</sup>	4		4	
Diameter of cable - normal other diameters on request	mm	20-70		20-70	



## Connector unit with block contactor

### C-Line

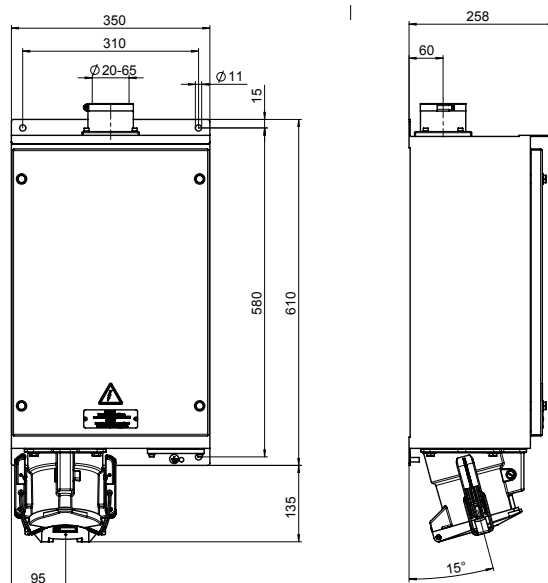


CUBC-S5/200 400V

IP55

Steel housing

Terminals/ Poles	Ampere	Voltage	Frequency	Hour	Type	Order Code	Pkg qty	Weight
	A	V	Hz					pkg (1pce) kg
<b>3L+PEN</b>								
4	200	230	50/60	9	CUBC-S4/200 230V	2CMA103499R1000	1	25.1
		400		6	CUBC-S4/200 400V	2CMA103500R1000		
		500		7	CUBC-S4/200 500V	2CMA103501R1000		
		690		5	CUBC-S4/200 690V	2CMA103502R1000		
		1000		1	CUBC-S4/200 1000V	2CMA103503R1000		
<b>3L+N+PE</b>								
5	200	230	50/60	9	CUBC-S5/200 230V	2CMA103504R1000	1	25.3
		400		6	CUBC-S5/200 400V	2CMA103505R1000		
		500		7	CUBC-S5/200 500V	2CMA103506R1000		
		690		5	CUBC-S5/200 690V	2CMA103507R1000		
		1000		1	CUBC-S5/200 1000V	2CMA103508R1000		
<b>3L+PEN</b>								
4	250	230	50/60	9	CUBC-S4/250 230V	2CMA103509R1000	1	25.1
		400		6	CUBC-S4/250 400V	2CMA103510R1000		
		500		7	CUBC-S4/250 500V	2CMA103511R1000		
		690		5	CUBC-S4/250 690V	2CMA103512R1000		
		1000		1	CUBC-S4/250 1000V	2CMA103513R1000		
<b>3L+N+PE</b>								
5	250	230	50/60	9	CUMI-S5/250 230V	2CMA103514R1000	1	25.3
		400		6	CUMI-S5/250 400V	2CMA103515R1000		
		500		7	CUMI-S5/250 500V	2CMA103516R1000		
		690		5	CUMI-S5/250 690V	2CMA103517R1000		
		1000		1	CUMI-S5/250 1000V	2CMA103518R1000		



# Connector unit with block contactor

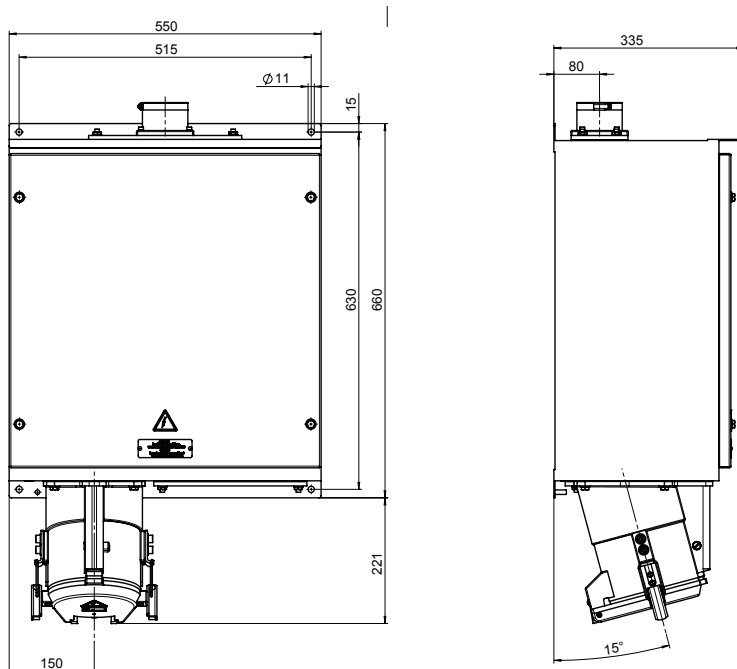
## B-Line



CUBC-S5/250 400V

IP55  
Steel housing

Terminals/ Poles	Ampere	Voltage	Frequency	Hour	Type	Order Code	Pkg qty	Weight
	A	V	Hz					pkg (1pce) kg
<b>3L+PEN</b>								
4	250	230	50/60	9	CUBC-S4/250 230V	2CMA103519R1000	1	45.6
		400			CUBC-S4/250 400V	2CMA103520R1000		
		500			CUBC-S4/250 500V	2CMA103521R1000		
		690			CUBC-S4/250 690V	2CMA103522R1000		
		1000			CUBC-S4/250 1000V	2CMA103523R1000		
<b>3L+N+PE</b>								
5	250	230	50/60	9	CUBC-S5/250 230V	2CMA103524R1000	1	47.1
		400			CUBC-S5/250 400V	2CMA103525R1000		
		500			CUBC-S5/250 500V	2CMA103526R1000		
		690			CUBC-S5/250 690V	2CMA103527R1000		
		1000			CUBC-S5/250 1000V	2CMA103528R1000		
<b>3L+PEN</b>								
4	400	230	50/60	9	CUBC-S4/400 230V	2CMA103529R1000	1	45.6
		400			CUBC-S4/400 400V	2CMA103530R1000		
		500			CUBC-S4/400 500V	2CMA103531R1000		
		690			CUBC-S4/400 690V	2CMA103532R1000		
		1000			CUBC-S4/400 1000V	2CMA103533R1000		
<b>3L+N+PE</b>								
5	400	230	50/60	9	CUBC-S5/400 230V	2CMA103534R1000	1	47.1
		400			CUBC-S5/400 400V	2CMA103535R1000		
		500			CUBC-S5/400 500V	2CMA103536R1000		
		690			CUBC-S5/400 690V	2CMA103537R1000		
		1000			CUBC-S5/400 1000V	2CMA103538R1000		



# Connector units

## with circuit breaker, CUCB

To ensure maximum safety for users, we can offer special connector units.

Technical data	Unit	C-Line		B-Line	
Norminal current	A	200	250	250	400
Rated current	A	250	285	315	450
Rated voltage	V		690		690
Rated ultimate short-circuit breaking capacity Icu (400V)	kA		36		36
Thermo magnetic current setting range	A	200	250	250	400
Rated frequency	Hz		50/60		50/60
Withstand voltage (1 Min/50 Hz)	V		3000		3000
Protection grade			IP54		IP54
Shock resistance			IK07		IK07
Ambient temperature	° C		-40/+70		-40/+70
Insulation resistance (Phase-phase and phase-earth)	MOhm		>500		>500
Comparative tracking index of the insert	CTI		>600		>600
Weight 4 poles (3L+PEN)	kg		25.1		45.6
Weight 5 poles (3L+N+PE)	kg		25.3		47.1
Connection bolts for cable shoes			M10		M10
Max cross section pilot cable, conductor (EN 60228 Class 1)	mm <sup>2</sup>		4		4
Diameter of cable - normal other diameters on request	mm		20-70		20-70



# Connector unit with circuit breaker

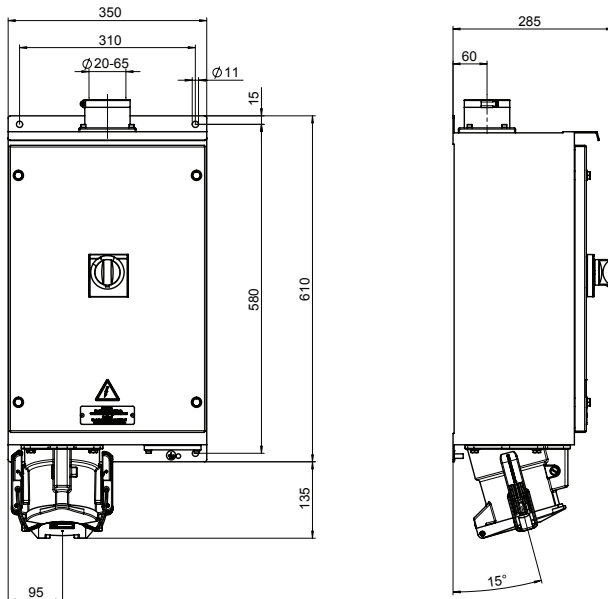
## C-Line



CUCB-S5/200 400V

IP54  
Steel housing

Terminals/ Poles	Ampere A	Voltage V	Frequency Hz	Hour	Type	Order Code	Pkg qty	Weight
								pkg (1pce)
kg								
<b>3L+PEN</b>								
4	200	230	50/60	9	CUCB-S4/200 230V	2CMA103539R1000	1	25.1
		400		6	CUCB-S4/200 400V	2CMA103540R1000		
		500		7	CUCB-S4/200 500V	2CMA103541R1000		
		690		5	CUCB-S4/200 690V	2CMA103542R1000		
<b>3L+N+PE</b>								
5	200	230	50/60	9	CUCB-S5/200 230V	2CMA103543R1000	1	25.3
		400		6	CUCB-S5/200 400V	2CMA103544R1000		
		500		7	CUCB-S5/200 500V	2CMA103545R1000		
		690		5	CUCB-S5/200 690V	2CMA103546R1000		
<b>3L+PEN</b>								
4	250	230	50/60	9	CUCB-S4/250 230V	2CMA103547R1000	1	25.1
		400		6	CUCB-S4/250 400V	2CMA103548R1000		
		500		7	CUCB-S4/250 500V	2CMA103549R1000		
		690		5	CUCB-S4/250 690V	2CMA103550R1000		
<b>3L+N+PE</b>								
5	250	230	50/60	9	CUCB-S5/250 230V	2CMA103551R1000	1	25.3
		400		6	CUCB-S5/250 400V	2CMA103552R1000		
		500		7	CUCB-S5/250 500V	2CMA103553R1000		
		690		5	CUCB-S5/250 690V	2CMA103554R1000		



## Connector unit with circuit breaker

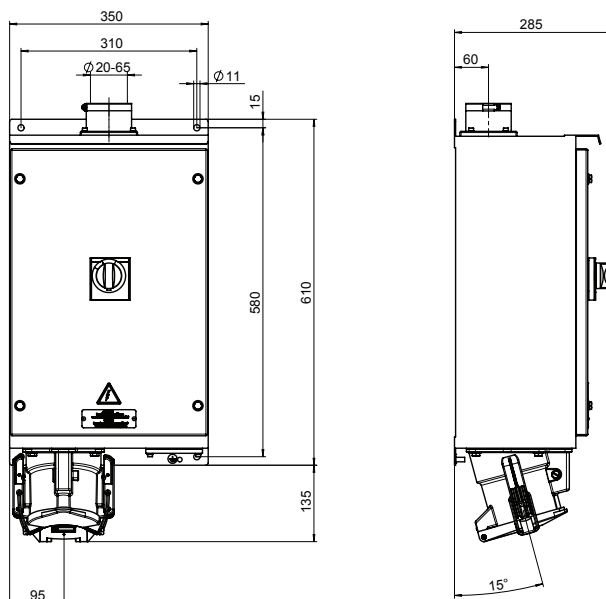
B-Line



CUCB-S5/250 400V

IP54  
Steel housing

Terminals/ Poles	Ampere A	Voltage V	Frequency Hz	Hour	Type	Order Code	Pkg qty	Weight
								pkg (1pce) kg
<b>3L+PEN</b>								
4	250	230	50/60	9	CUCB-S4/250 230V	2CMA103555R1000	1	45.6
		400		6	CUCB-S4/250 400V	2CMA103556R1000		
		500		7	CUCB-S4/250 500V	2CMA103557R1000		
		690		5	CUCB-S4/250 690V	2CMA103558R1000		
<b>3L+N+PE</b>								
5	250	230	50/60	9	CUCB-S5/250 230V	2CMA103559R1000	1	47.1
		400		6	CUCB-S5/250 400V	2CMA103560R1000		
		500		7	CUCB-S5/250 500V	2CMA103561R1000		
		690		5	CUCB-S5/250 690V	2CMA103562R1000		
<b>3L+PEN</b>								
4	400	230	50/60	9	CUCB-S4/400 230V	2CMA103563R1000	1	45.6
		400		6	CUCB-S4/400 400V	2CMA103564R1000		
		500		7	CUCB-S4/400 500V	2CMA103565R1000		
		690		5	CUCB-S4/400 690V	2CMA103566R1000		
<b>3L+N+PE</b>								
5	400	230	50/60	9	CUCB-S5/400 230V	2CMA103567R1000	1	47.1
		400		6	CUCB-S5/400 400V	2CMA103568R1000		
		500		7	CUCB-S5/400 500V	2CMA103569R1000		
		690		5	CUCB-S5/400 690V	2CMA103570R1000		



---

**ABB AB**

**Electrification Products**

Box 1005

SE-611 29 NYKÖPING, Sweden

Phone: +46 155 29 50 00

Fax: +46 155 28 81 10

**[www.abb.com/industrialplugs](http://www.abb.com/industrialplugs)**



Below QR-code is linked to our web site [www.abb.com/industrialplugs](http://www.abb.com/industrialplugs). You will have to download a QR-code reader app to your phone in order to use it.

